

Heat exchanger for ZF-Ecosplit (Truck)

Additional cooler for high-duty application



Picture shows heat exchanger design without additional holding plate

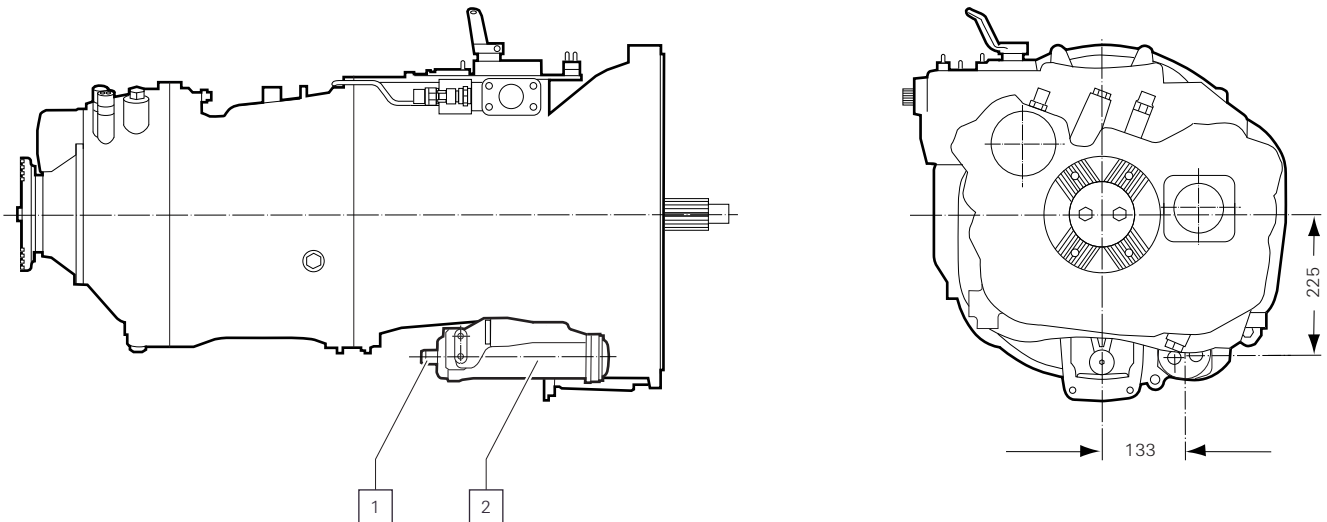
Cooling capacity	4,88 kW
at • weight	≈ 4,0 kg
• additional oil quantity	≈ 0,5 dm ³
• max. permissible oil temperature	110 °C
• oil temperature permissible for a short time	130 °C
• max. permissible coolant temperature	105 °C

- applicable for 12/16 S xx3x TD/TO

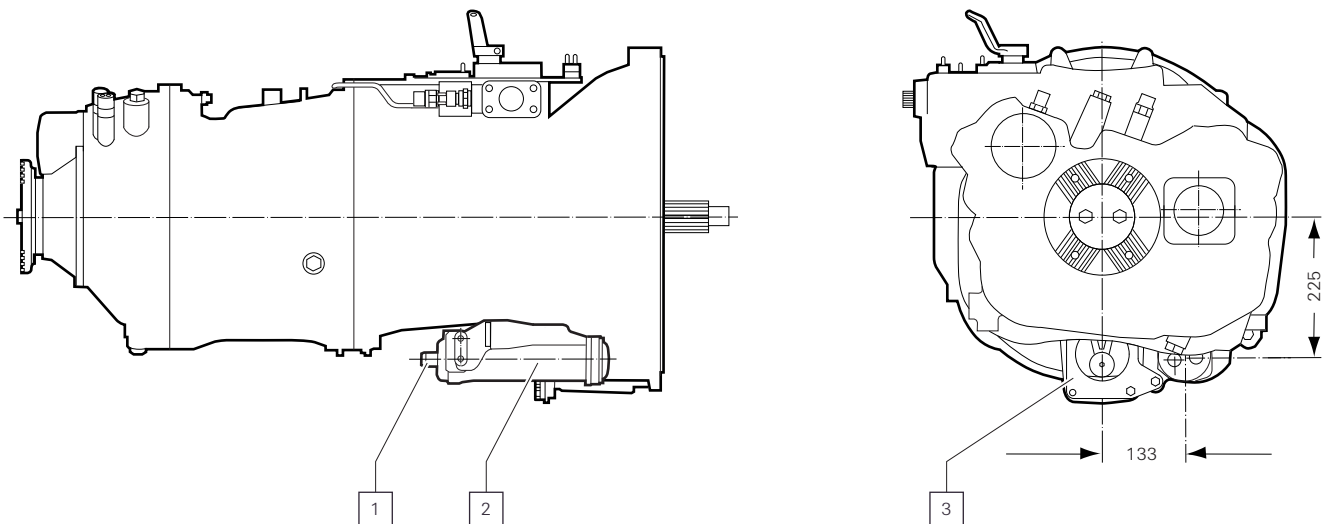
Heat exchanger for ZF-Ecosplit (Truck)

Installation dimensions

Variant without holding plate



Variant with holding plate



- 1 Coolant connections
- 2 Oil/coolant heat exchanger
- 3 Holding plate