



ZF in Dump Trucks

To meet the requirements in everyday use, maximum ground contact and equal distribution of drive power to all wheels are essential for a high level of driving safety. Apart from these features for reduced cycle times and more operator comfort, economic efficiency and service life should not be forgotten. The stresses which occur, demand the highest level of robustness and reliability from all components in the transmission.

ERGOPOWER

- High efficiency
- 8 gears forward, 4 gears reverse
- Wide overall transmission ratio (10.9)
- Equal gear steps (1.4)
- On-board electronics
- Engine speed reduced by up to 15%

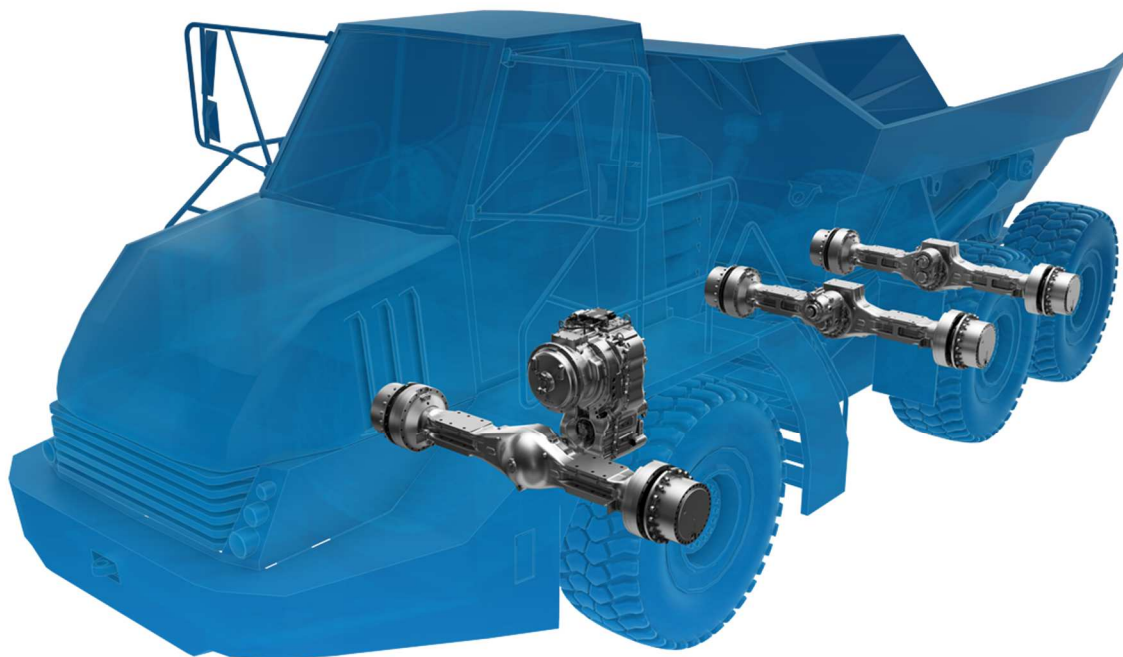
MULTITRAC

The MULTITRAC MT-D 3000 is characterized by great reliability and stability even during continuous heavy-duty work.

- Service friendly and robust
- High flexibility, excellent ground clearance
- Long service life



ZF Driveline Technology for Dump Trucks



Product and performance classes

Vehicle payload	Front axle	Wheel head	Rear axle 1	Rear axle 2	Gear selector	Transmission	Engine power max.
Class up to 12 t Class up to 26,400 lbs	MT-L 3075 II	MT-B 3065		MT-L 3075 II	VTS 3	6 WG 115	90 kW
Class up to 18 t Class up to 39,600 lbs	MT-L 3085 II	MT-B 3070		MT-L 3085 II	VTS 3	6 WG 160	160 kW
Class up to 25 t Class up to 55,100 lbs	MT-D 3095 II		MT-D 3095 II	MT-L 3095 II	VTS 3	6 WG 210	230 kW
Class up to 30 t Class up to 66,100 lbs	MT-D 3095 II		MT-D 3095 II	MT-L 3095 II	VTS 3	8 EP 320	270 kW
Class up to 35 t Class up to 77,200 lbs	MT-D 3105		MT-D 3105	MT-D 3105	VTS 3	8 EP 370	300 kW
Class up to 35 t Class up to 77,200 lbs		WH-D 3105	MT-D 3105	MT-D 3105	VTS 3	8 EP 370	300 kW
Class up to 40 t Class up to 88,200 lbs	MT-D 3105		MT-D 3105	MT-D 3105	VTS 3	8 EP 420	350 kW
Class up to 40 t Class up to 88,200 lbs		WH-D 3105	MT-D 3105	MT-D 3105	VTS 3	8 EP 420	350 kW
Class up to 45 t Class up to 99,200 lbs					VTS 3	8 EP 470	375 kW