



## CVT transaxle ZF ECCOM and ZF TERRAMATIC

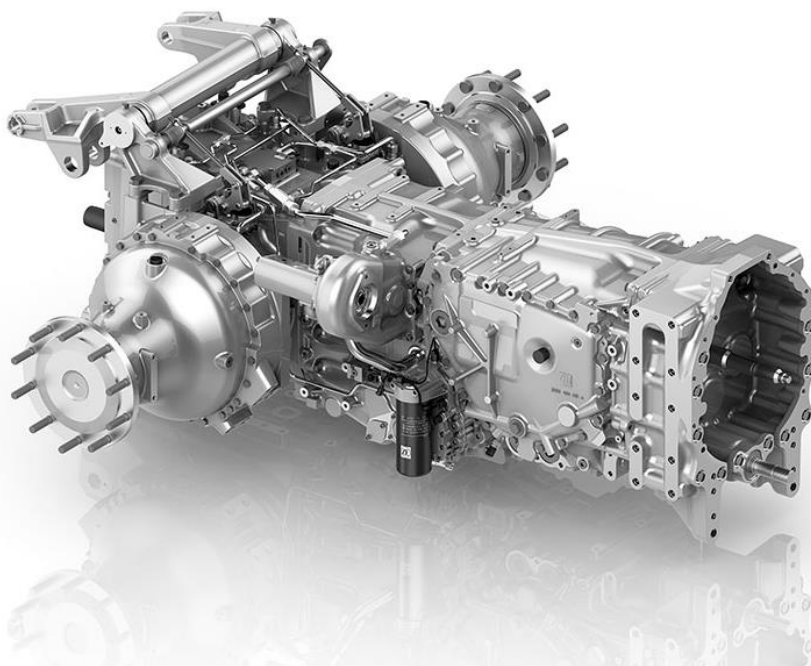
Continuously variable ZF transmissions for tractors increase the productivity and enable the driver to pay more attention to the actual work process. The CVT's of ZF lower the usual time needed for tractor-based work by more than 10%. Together with reduced fuel consumption, this creates unbeatable advantages in productivity. Stepless driving and working at the same time is therefore a large step towards the technological as well as commercial future of agriculture.

The ZF stepless transmissions cover the power range between 70 and 460 HP with several types.

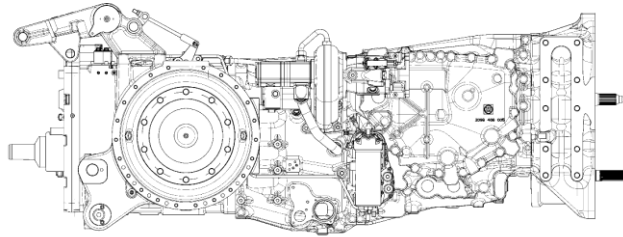


- Continuously variable gear ratio
- Highly adaptable electronic control
- Modular design, less components
- Infinite number of "gears"
- Active standstill control
- Increased productivity
- Various driving strategies (e.g. automatic mode)

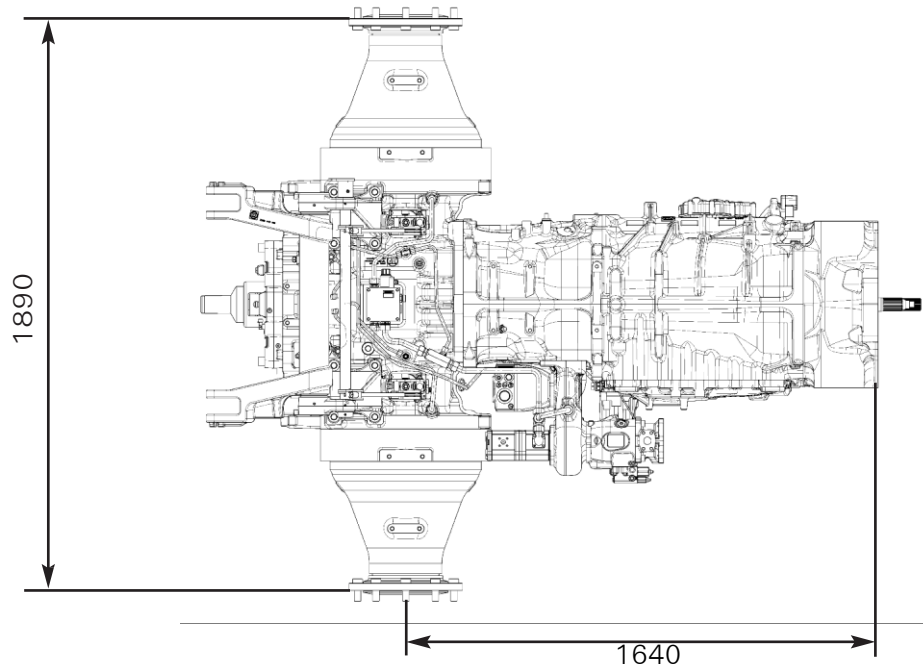
## TERRAMATIC TMT 32



## TERRAMATIC TMT 32 side view



## TERRAMATIC TMT 32 top view



09/2017 Technical modifications remain reserved. For installation investigations and for appointments of the definitive implementation, we advise you to order corresponding installation drawings.

Technical Data	TERRAMATIC CVT							
	TMT 09	TMT 11	TMT 16	TMT 20	TMT 25	TMT 27	TMT 32	TMG 45
<b>Vehicle Data</b>								
Engine power (max) [kW/HP] acc. ISO 14396	76/100*	88/115*	126/171*	151/205*	179/243*	191/260*	247/336*	340/460*
nominal engine speed	2,000 – 2,200							
Vehicle speed max. [km/h] (@reduced engine speed)	40	50						
Gross vehicle weight [kg]	5.700	7.500	11.500	12.500	14.500	14.500	18.000	22.000
Rear axle load [N]	37.000	50.000	85.000	92.000	98.000	98.000	118.000	---
SRI max. [m]	0,725	0,8	0,875	0,925	0,975	0,975	1,025	1,025
<b>ZF Transaxle Data</b>								
Transmission input power max. regular [kW/PS]	70/95*	81/110*	116/157*	151/205*	167/227*	179/243*	231/314*	314/427*
Transmission input torque max. regular [Nm]	395	450	670	875	965	1.035	1.300	1.760
Transaxle weight [kg]	1.000	1.150	1.670	2.075	2.429	2.434	2.510	1.100
max.rear lift capacity [kg]**	3.300	5.300	9.200	9.600	11.000	11.000	12.700	---

\*Power increase with boost depending on transmission type between 8 – 12%

\*\*at hitch point; pending on OEM rear lift kinematics