

WABCO

Service Parts Instructions

WABCO HPB Kit with ECU (10 Coil)

Kits 400 850 875 0, 400 851 875 0 and
400 851 884 0 for Servicing Units
478 407 111 0, 478 408 111 0 and
478 408 131 0

Hazard Alert Messages

Read and observe all Warning and Caution hazard alert messages in this publication. They provide information that can help prevent serious personal injury, damage to components, or both.

WARNING

To prevent serious eye injury, always wear safe eye protection when you perform vehicle maintenance or service.

Park the vehicle on a level surface. Block the wheels to prevent the vehicle from moving. Support the vehicle with safety stands. Do not work under a vehicle supported only by jacks. Jacks can slip and fall over. Serious personal injury and damage to components can result.

Release all air from the air systems before you remove any components. Pressurized air can cause serious personal injury.

CAUTION

The HCU hydraulic power brake system is a complex device that provides optimum efficiency and operation. If the system sustains damage, or a component malfunctions and requires replacement, the replacement procedures provided by WABCO must be followed exactly with the associated steps performed in the order presented.

Hydraulic brake fluid is a caustic substance. Contact with the hydraulic brake fluid can cause skin irritation. Do not let hydraulic brake fluid touch any painted surfaces, as it will remove the paint. Hydraulic brake fluid may also damage certain non-metal surfaces. Do not let fluid contact brake pads, shoes, rotors or discs.

Introduction

WABCO kits 400 850 875 0, 400 851 875 0 and 400 851 884 0 contain the following parts:

- HCU (Hydraulic Compact Unit)
- Reservoir
- Screws (4)

The following kit assembly procedures describe the process of assembling the parts of a kit. Refer to WABCO Maintenance Manual MM-0401, WABCO Hydraulic Power Brake (HPB) System, for procedures to install the kit onto the vehicle.

How to Obtain Additional Maintenance, Service and Product Information

Refer to Maintenance Manual MM-0401, WABCO Hydraulic Power Brake (HPB) System. Call WABCO North America Customer Care at 855-228-3203 to obtain this publication. WABCO publications are also available on our website:

wabco-na.com

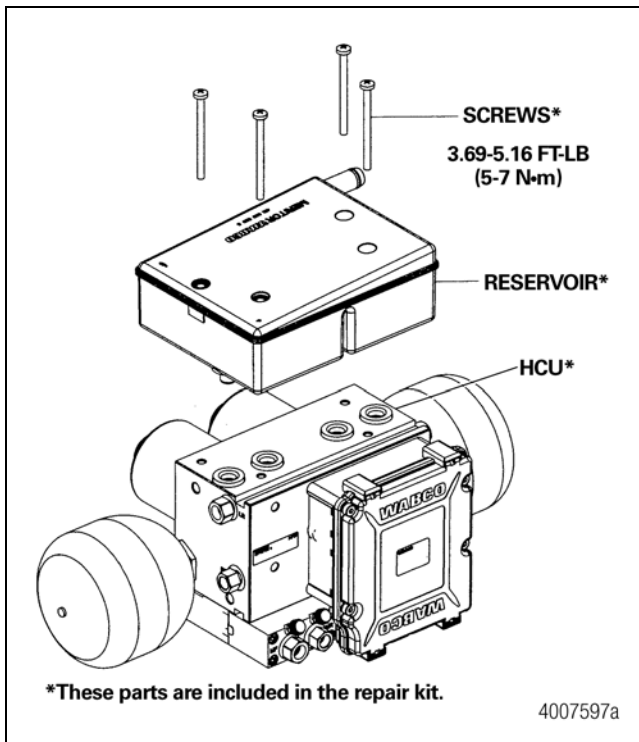



Figure 1

Kit Assembly

1. Wear safe eye protection.
2. Remove and scrap the plastic cover from the top of the HCU. Scrap the four screws.
3. Install the reservoir onto the HCU using the four screws. Ensure that the four rubber bushings are in the correct position.
4. Tighten the reservoir screws to 3.69-5.16 ft-lb (5-7 N•m). 
5. Refer to Maintenance Manual MM-0401, WABCO Hydraulic Power Brake (HPB) System, for the procedure to install the unit on the vehicle.

WABCO

WABCO North America
 1220 Pacific Drive
 Auburn Hills, MI 49326 USA
 855-228-3203
 wabco-na.com

Information contained in this publication was in effect at the time the publication was approved for printing and is subject to change without notice or liability. WABCO reserves the right to revise the information presented or to discontinue the production of parts described at any time.

Copyright 2018
 WABCO, Inc.
 All Rights Reserved

Printed in USA

TP-0999
 Revised 09-18
 (16579)