

# **WABCO HYDRAULIC ABS MODULATOR ASSEMBLY BRACKET REPLACEMENT PROCEDURE USING KIT 955452**

## **SERVICE PARTS INSTRUCTIONS**

**TP0772**

**WABCO**



# Table of Contents

1	General Information .....	4
2	Safety Information .....	6
3	Bracket Replacement Kit.....	6
4	Replacement Procedures .....	7
4.1	Before You Begin .....	7
4.2	Removal .....	7
4.3	Installation.....	7

**Edition 1**  
10.2019  
TP0772 1 (en)

This publication is not subject to any update service. Information contained in this publication was in effect at the time the publication was approved for printing and is subject to change without notice or liability. WABCO reserves the right to revise the information presented or to discontinue the production of parts described at any time.

## 1 General Information

### Symbols used in this document

#### **DANGER**

Description of an immediate situation which will result in irreversible injury or death if the warning is ignored.

#### **WARNING**

Description of a possible situation which may result in irreversible injury or death if the warning is ignored.

#### **CAUTION**

Description of a possible situation which may result in irreversible injury if the warning is ignored.

#### **NOTICE**

Description of a possible situation which may result in material damage if the warning is ignored.



Important information, notes and/or tips



Reference to information on the internet

#### 1. Action step

- Action step
- ⇒ Consequence of an action

#### ■ List

- List

#### **Note on the use of a tool/WABCO tool**

### How to Obtain Additional Maintenance, Service and Product Information

If you have any questions about the material covered in this publication, or for more information about the WABCO product line, please contact the WABCO Customer Care Center at 855-228-3203, by email at [wnacustomer@wabco-auto.com](mailto:wnacustomer@wabco-auto.com), or visit our website: [www.wabco-na.com](http://www.wabco-na.com).

For additional service information, refer to Maintenance Manual MM0677, Hydraulic Anti-Lock Braking Systems (HABS) for Medium-Duty Trucks, Buses and Motor Home Chassis for E-Version Hydraulic ABS. This publication can be found on our website at [www.wabco-na.com/literature](http://www.wabco-na.com/literature).

## General Information

### WABCO Academy



<https://www.wabco-academy.com/home/>

### WABCO online product catalog



<http://inform.wabco-auto.com/>

### Your direct contact to WABCO

WABCO North America  
1220 Pacific Drive  
Auburn Hills, MI 48326  
Customer Care Center: (855) 228-3203  
[www.wabco-na.com](http://www.wabco-na.com)

## 2 Safety Information

### Provisions for a safe work environment

- Only trained and qualified technicians may carry out work on the vehicle.
- Read this publication carefully.
- Follow all warnings, notices and instructions to avoid personal injury and property damage.
- Always abide by the vehicle manufacturer's specifications and instructions.
- Observe all accident regulations of the respective company as well as regional and national regulations.
- The workplace should be dry, sufficiently lit and ventilated.
- Use personal protective equipment if required (safety shoes, protective goggles, respiratory protection and ear protectors).

Read and observe all Danger, Warning and Caution hazard alert messages in this publication. They provide information that can help prevent serious personal injury, damage to components, or both.

#### **WARNING**

To prevent serious eye injury, always wear safe eye protection when you perform vehicle maintenance or service.

#### **WARNING**

Park the vehicle on a level surface. Block the wheels to prevent the vehicle from moving. Support the vehicle with safety stands. Do not work under a vehicle supported only by jacks. Jacks can slip and fall over. Serious personal injury and damage to components can result.

## 3 Bracket Replacement Kit

Kit R955452 Contents:

Part Description	Part Number	Quantity
Bracket	478 901 352 2	1
Bolt	891 490 000 4	3
HABS Bracket Replacement Procedure	TP0772	1

# 4 Replacement Procedures

## 4.1 Before You Begin

### WARNING

When any hydraulic system fitting is loosened or disconnected, the entire system must be bled to remove any air that may have entered. Failure to bleed the system whenever any hydraulic system fitting is loosened or disconnected will allow air to remain in the system. This will prevent the hydraulic pressure in the brake system from raising enough to apply the brakes correctly. This will cause the stopping distance to increase and can result in serious personal injury. Follow the brake bleeding procedures described in Maintenance Manual MM0677.

### CAUTION

The modulator assembly contains hydraulic brake fluid. Hydraulic brake fluid is a caustic substance. Contact with hydraulic brake fluid can cause skin irritation. Do not let hydraulic brake fluid touch any painted surfaces as it will remove the paint. Hydraulic brake fluid may also damage certain non-metal surfaces. Do not let fluid get on brake pads, shoes, rotors or discs. Follow the safety precautions described in Maintenance Manual MM0677.

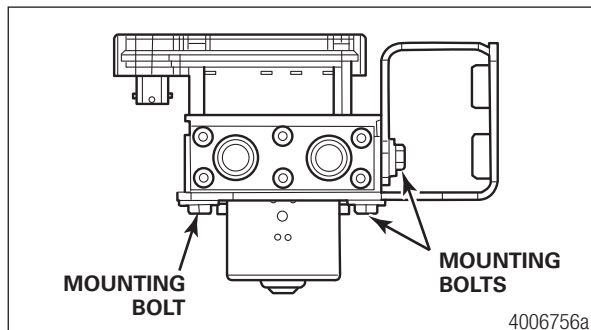
## 4.2 Removal

Follow the procedure in Maintenance Manual MM0677 for removal of the old modulator assembly bracket.

## 4.3 Installation

1. Wear safe eye protection.
2. Park the vehicle on a level surface. Block the wheels to prevent the vehicle from moving.
3. Position the modulator assembly and bracket in place on the vehicle. Figure 1.

Fig. 1



4. Install three mounting bolts and nuts. Tighten to  $16.0 \pm 4.0$  ft-lb ( $22.0 \pm 5$  Nm).
5. Ensure the brake line connections are tight.
6. Bleed the brake system, if necessary, following the procedures in Maintenance Manual MM0677.

# WABCO

Mobilizing Vehicle Intelligence



ACE AUTONOMOUS  
CONNECTED  
ELECTRIC

## About WABCO

WABCO (NYSE: WBC) is the leading global supplier of braking control systems and other advanced technologies that improve the safety, efficiency and connectivity of commercial vehicles. Originating from the Westinghouse Air Brake Company founded 150 years ago, WABCO is powerfully “Mobilizing Vehicle Intelligence” to support the increasingly autonomous, connected and electric future of the commercial vehicle industry. WABCO continues to pioneer innovations to address key technology milestones in autonomous mobility and apply its extensive expertise to integrate the complex control and fail-safe systems required to efficiently and safely govern vehicle dynamics at every stage of a vehicle’s journey – on the highway, in the city and at the depot. Today, leading truck, bus and trailer brands worldwide rely on WABCO’s differentiating technologies. Powered by its vision for accident-free driving and greener transportation solutions, WABCO is also at the forefront of advanced fleet management systems and digital services that contribute to commercial fleet efficiency. In 2018, WABCO reported sales of over \$3.8 billion and has more than 16,000 employees in 40 countries. For more information, visit [www.wabco-na.com](http://www.wabco-na.com).



# WABCO