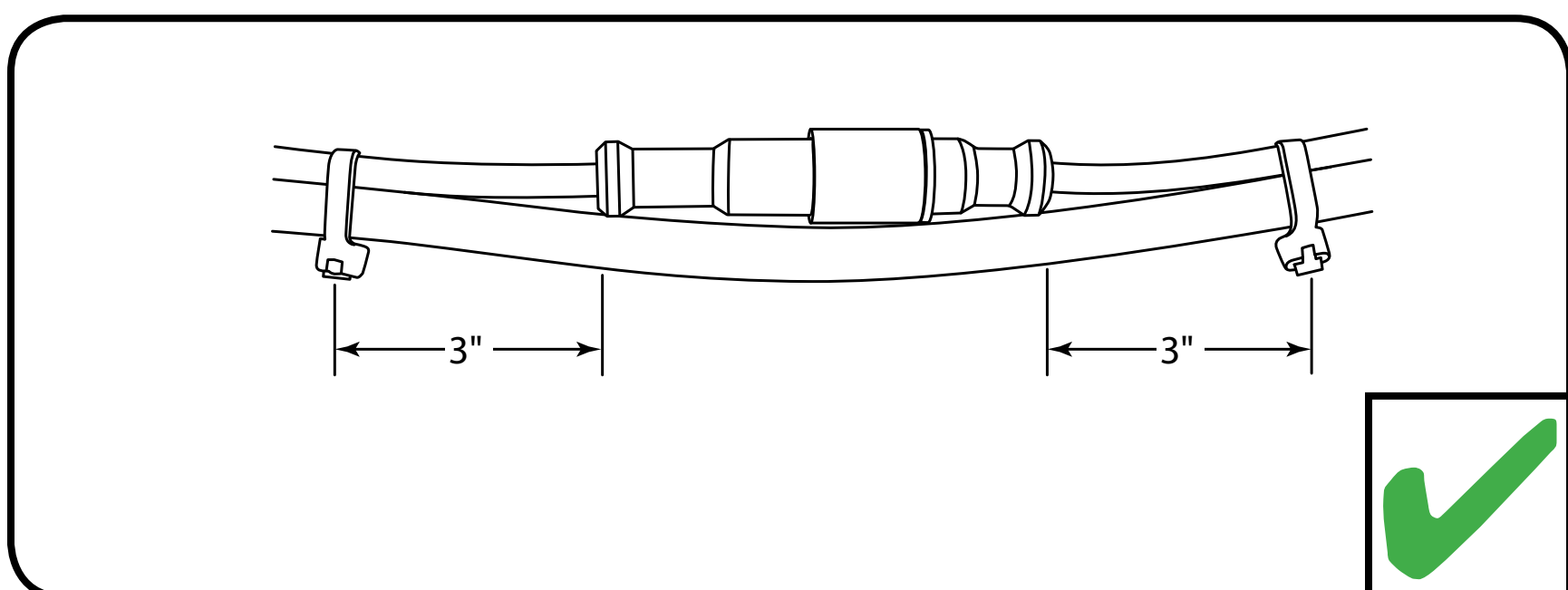
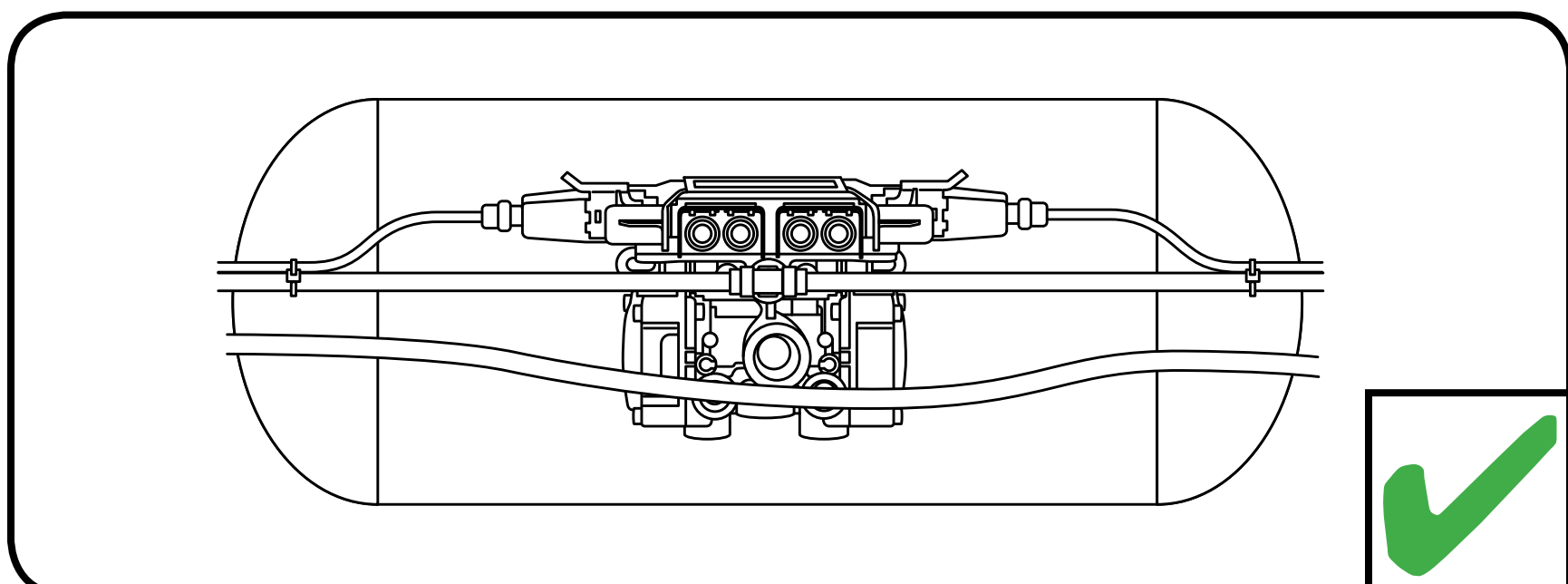
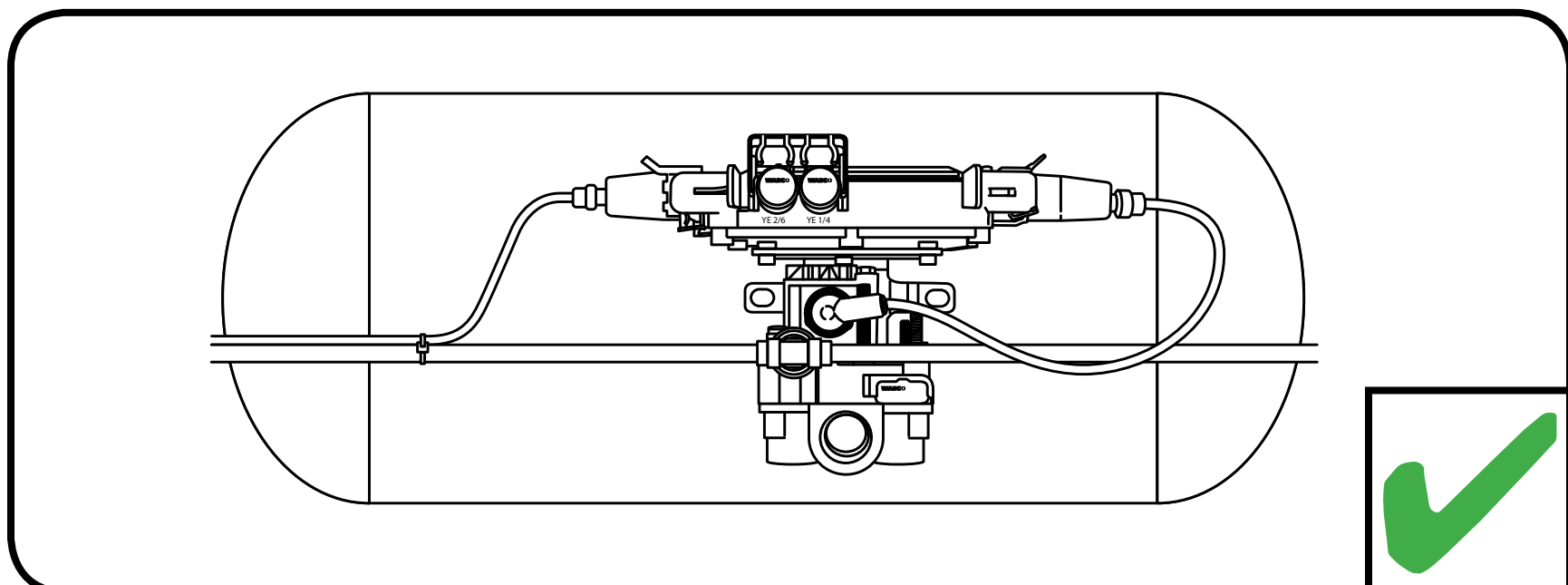
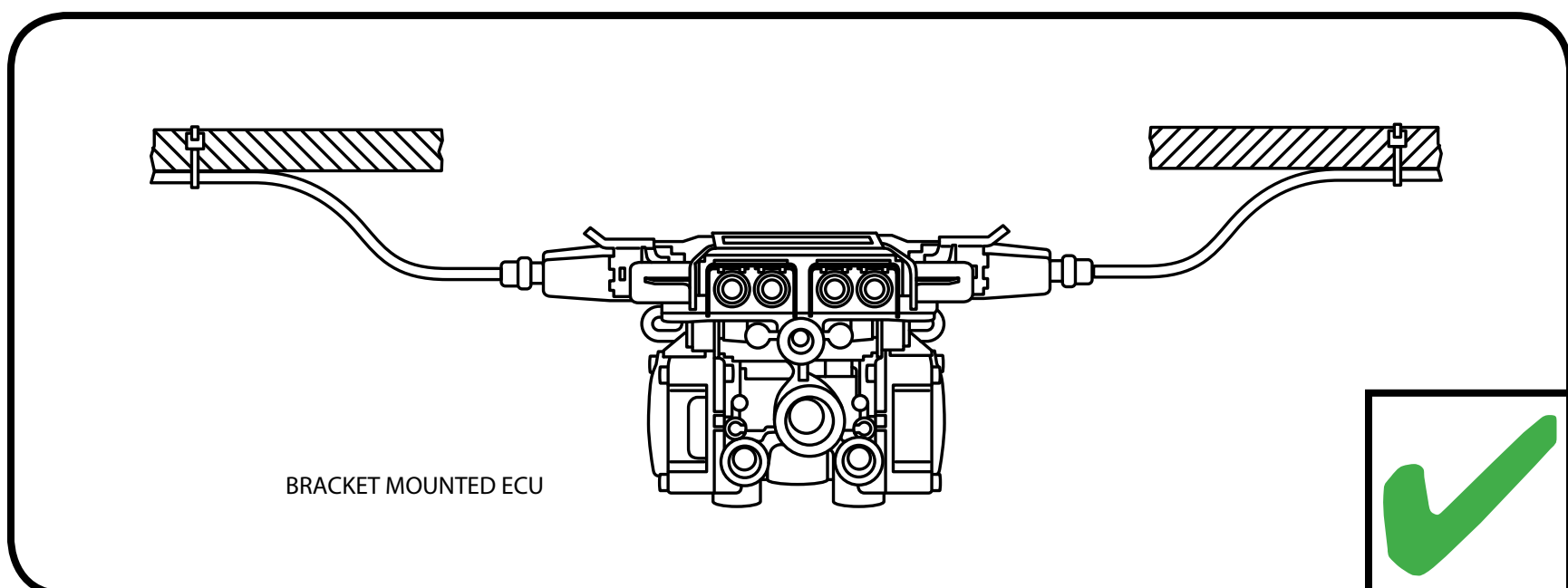
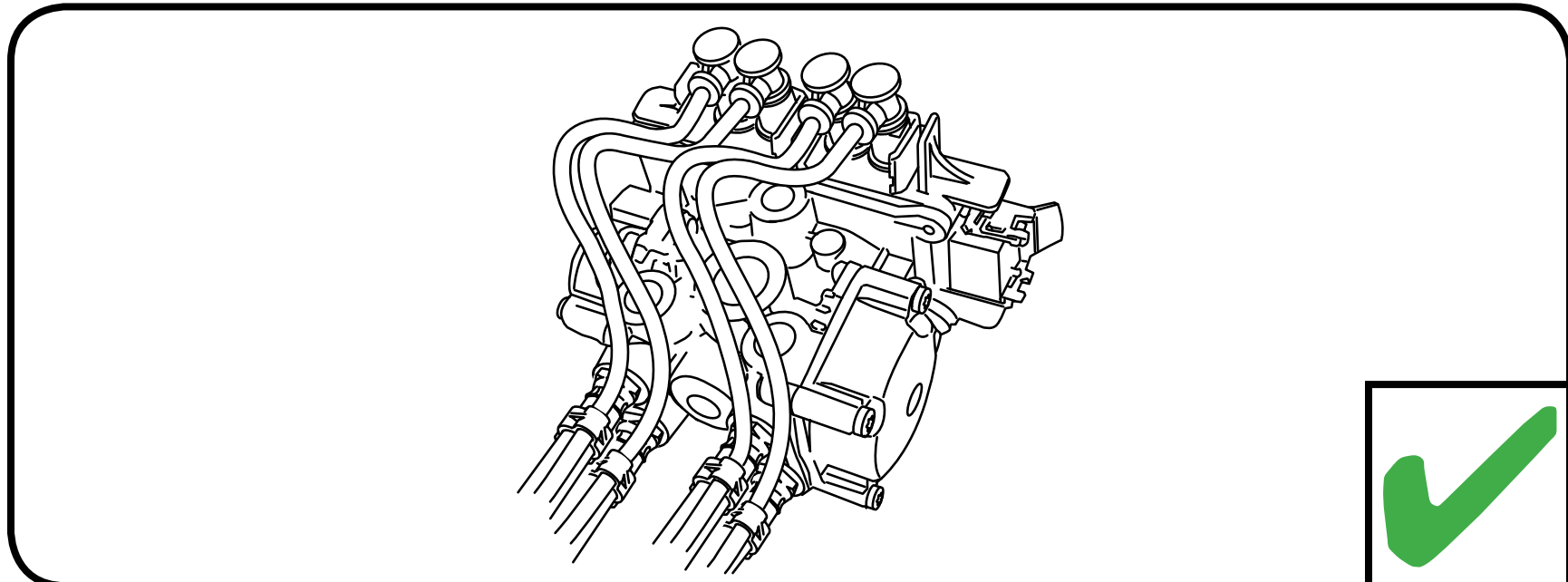
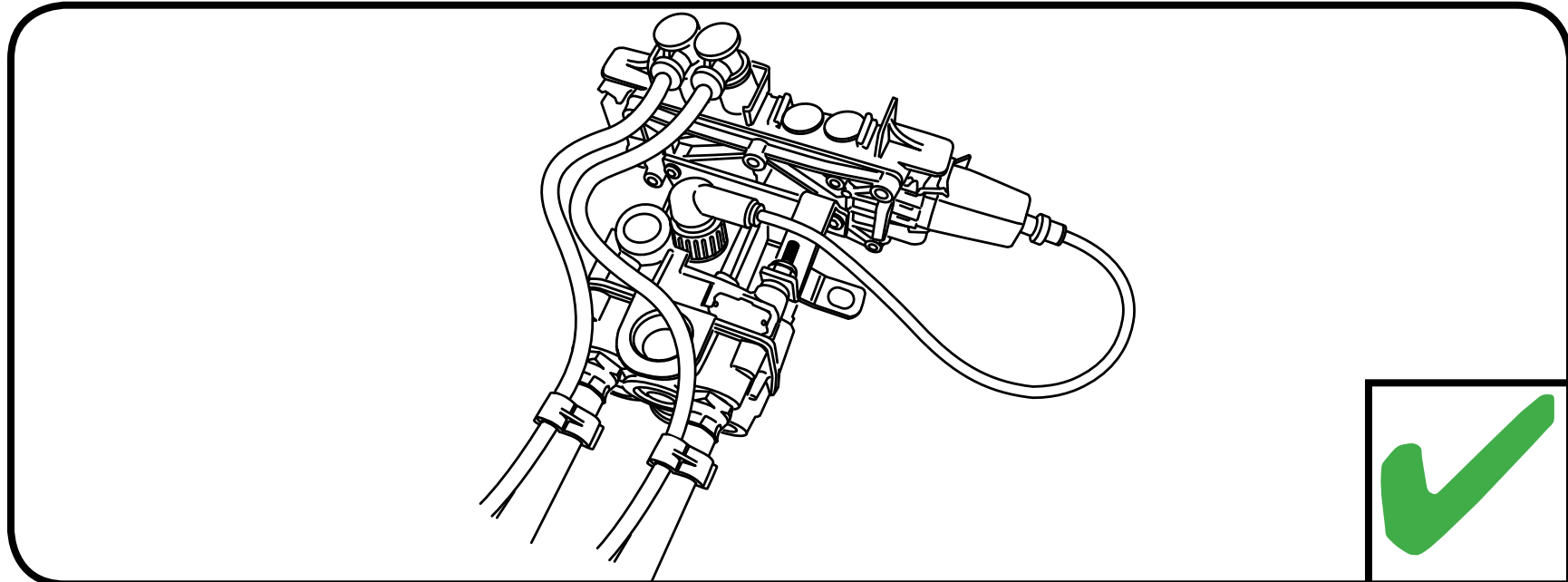


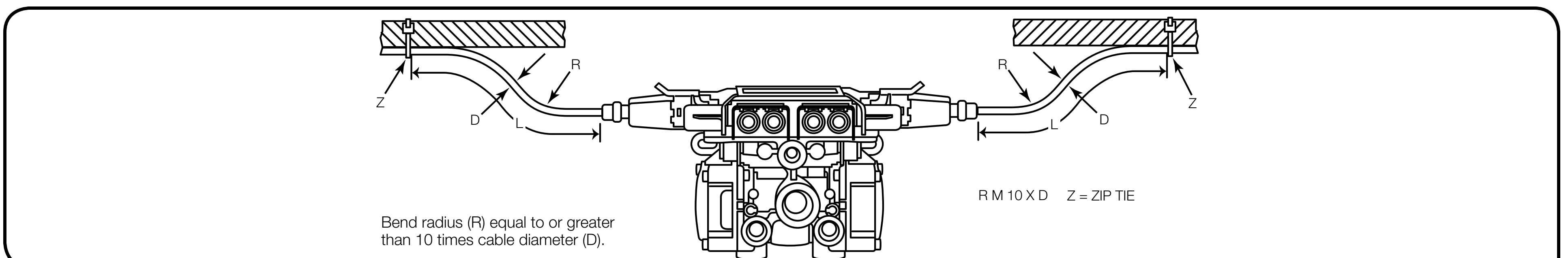
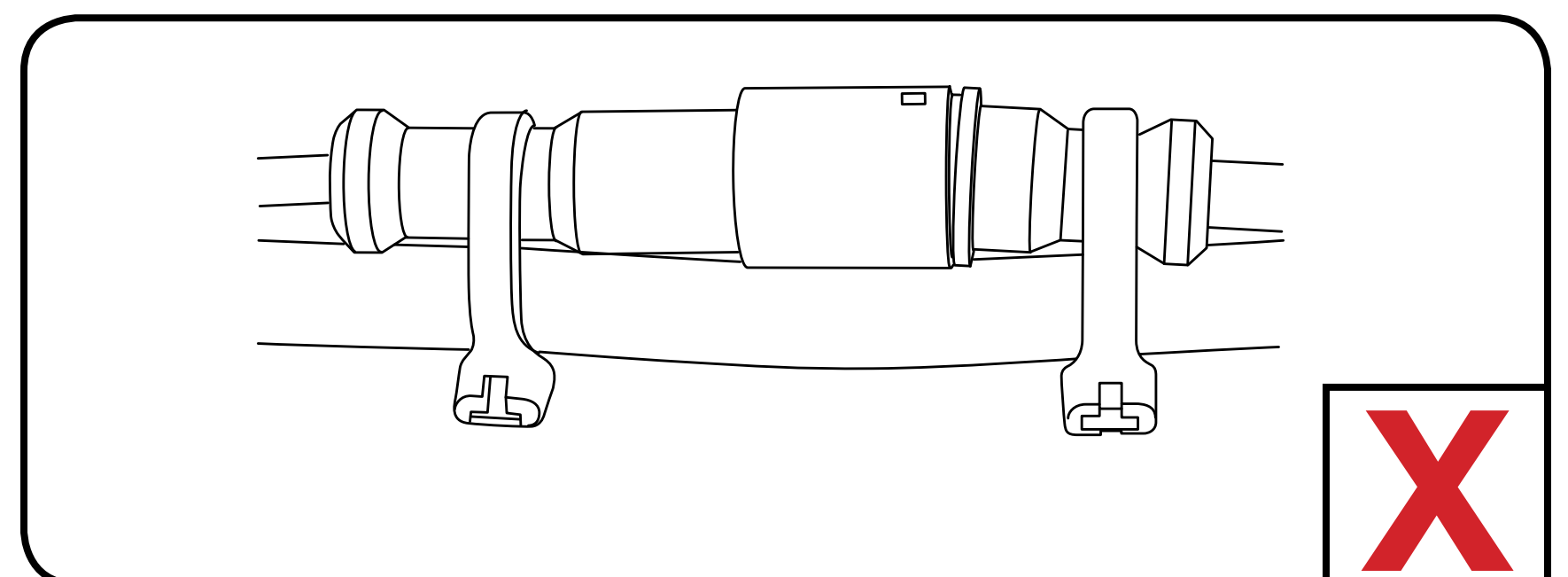
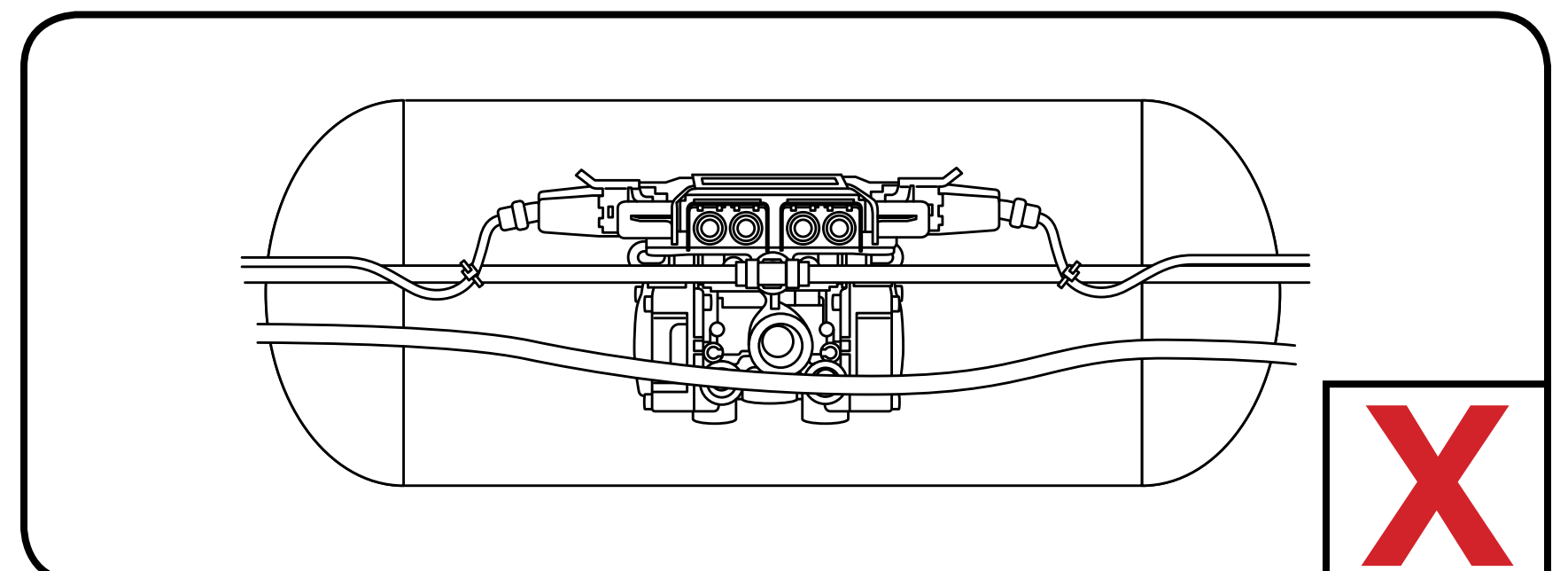
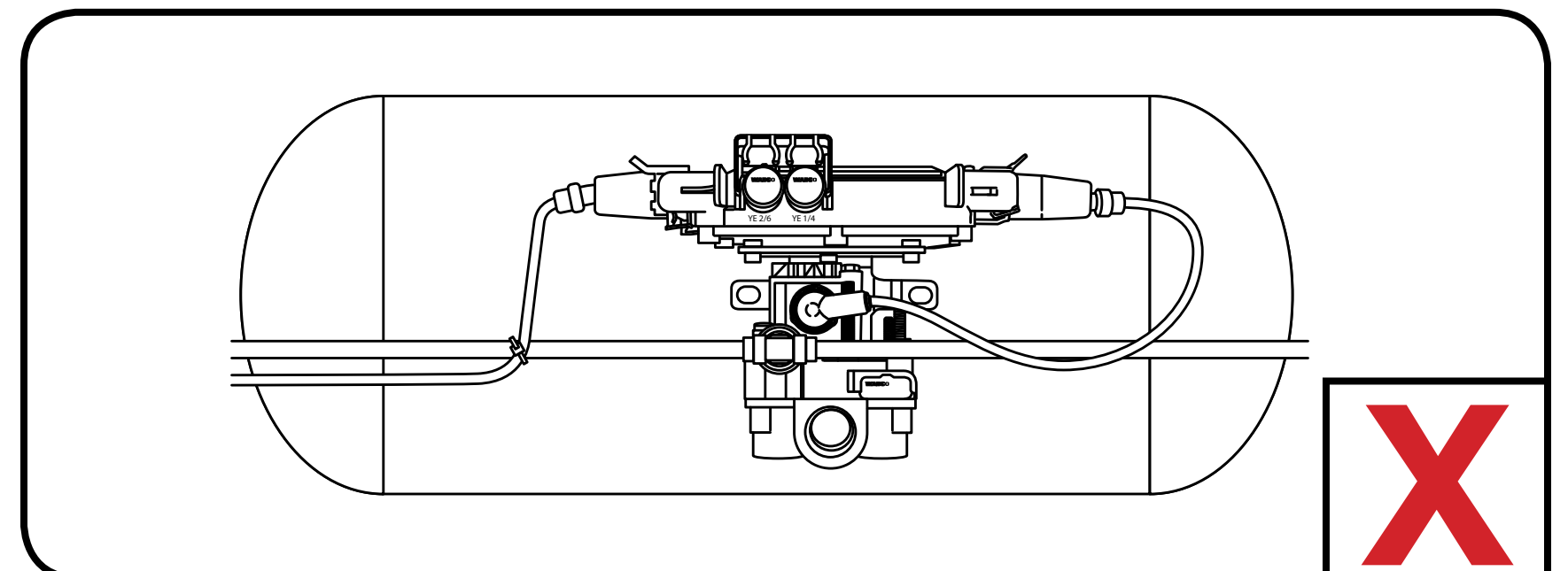
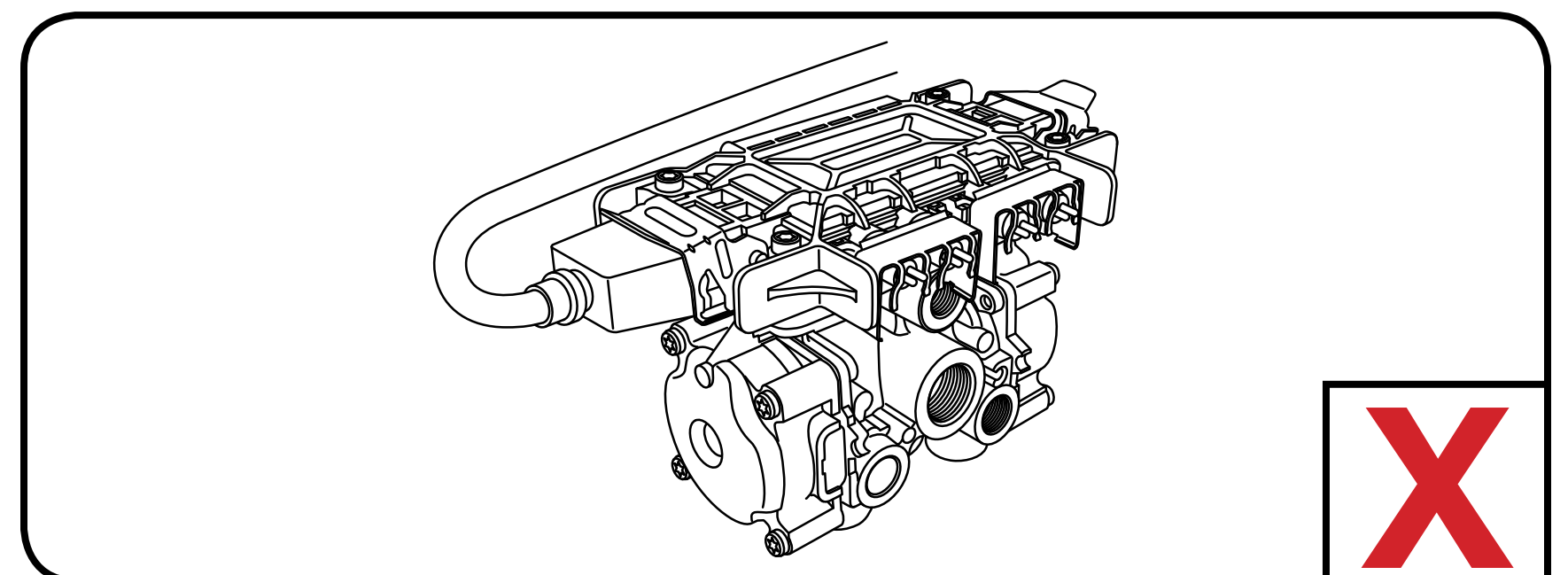
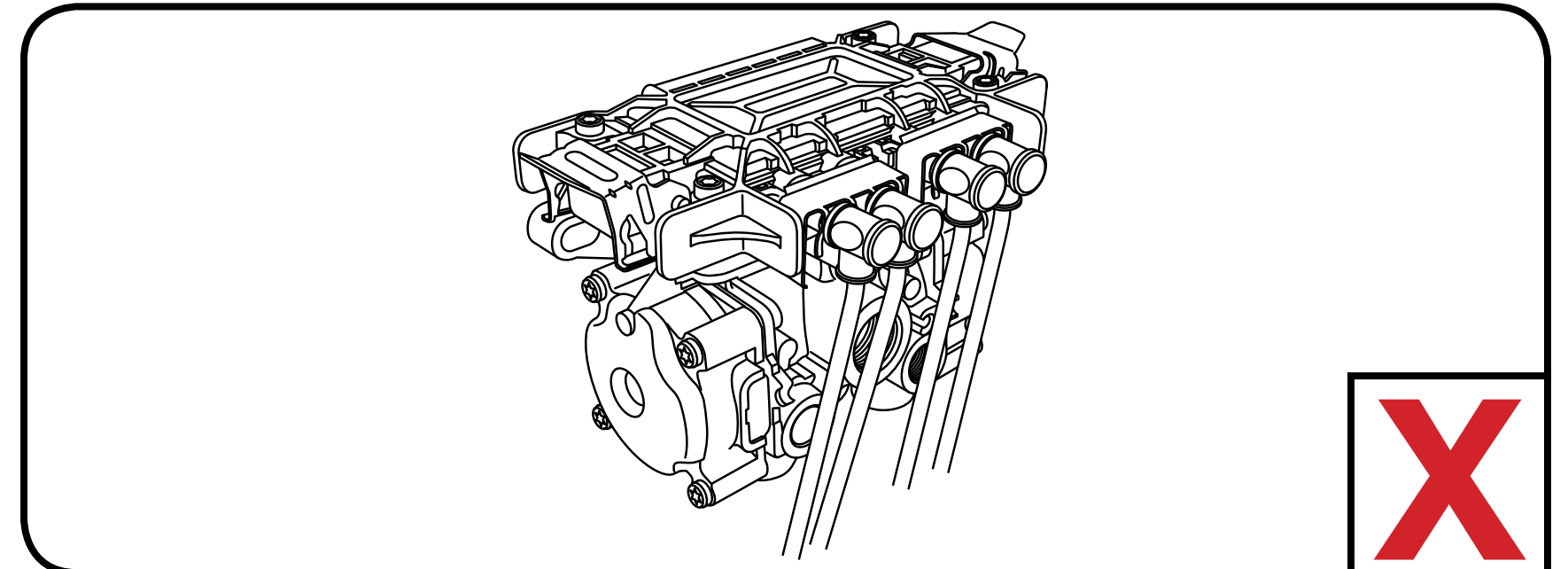
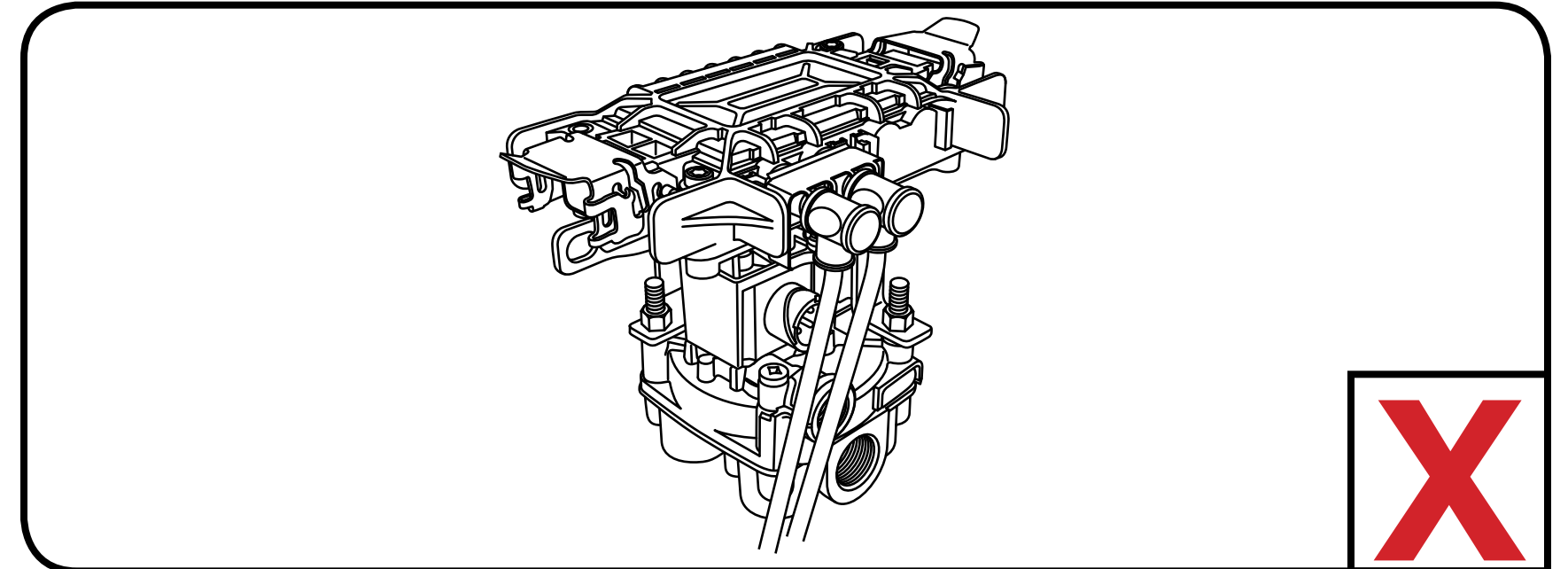
Cable Strain Relief

Proper cable strain relief ensures component performance and reduces warranty claims.

Allowable



Not Allowable



First fastener must be a minimum 6 inches and a maximum of 12 inches (Length L) from connector. Dimensions apply to all cable connections at the ECU (including sensor cable).