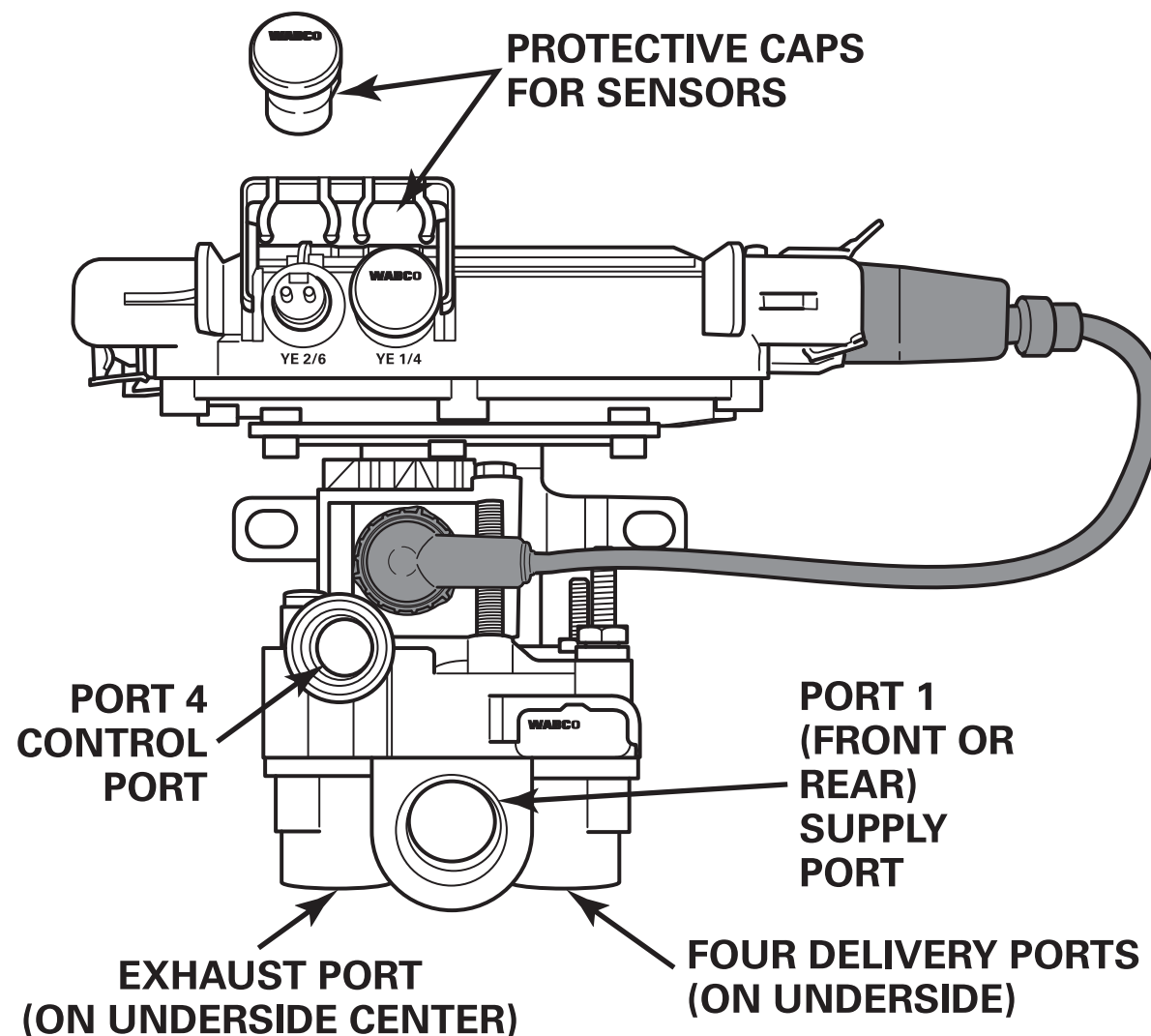


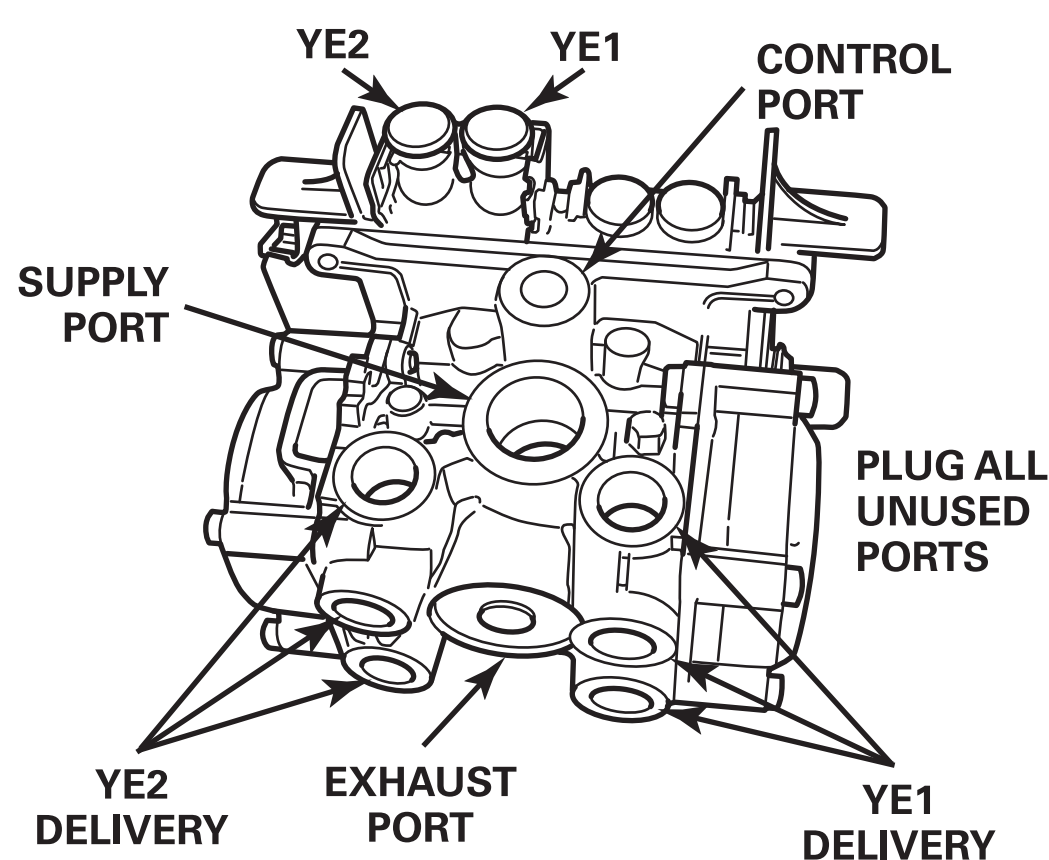
ENHANCED EASY-STOP™ with PLC TRAILER ABS

ECU/MODULATOR VALVE ASSEMBLIES

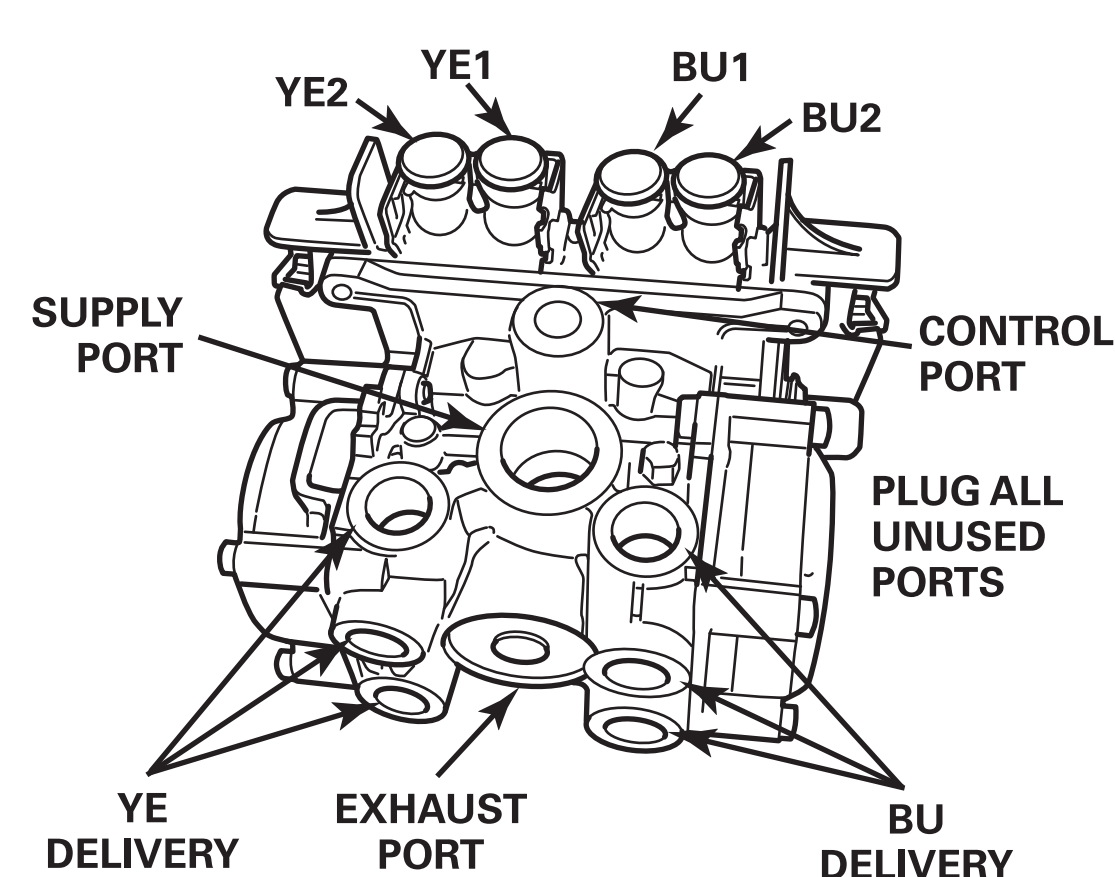
2S/1M BASIC



2S/2M STANDARD

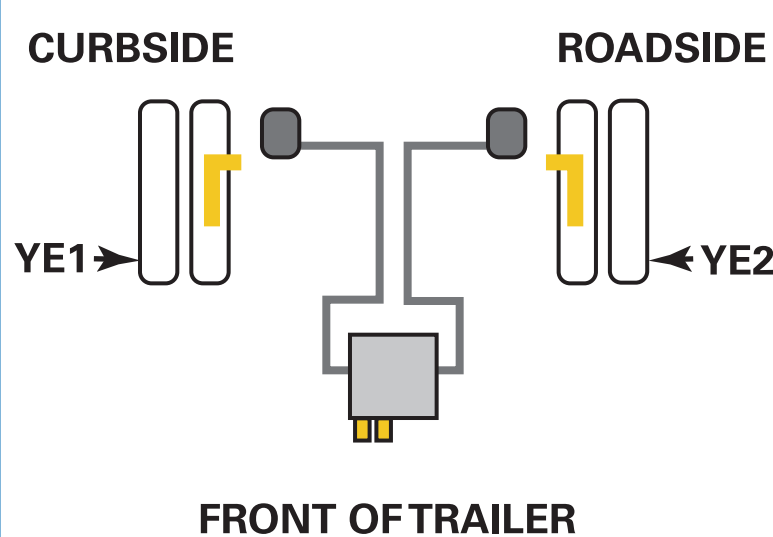


2S/2M, 4S/2M, 4S/3M PREMIUM

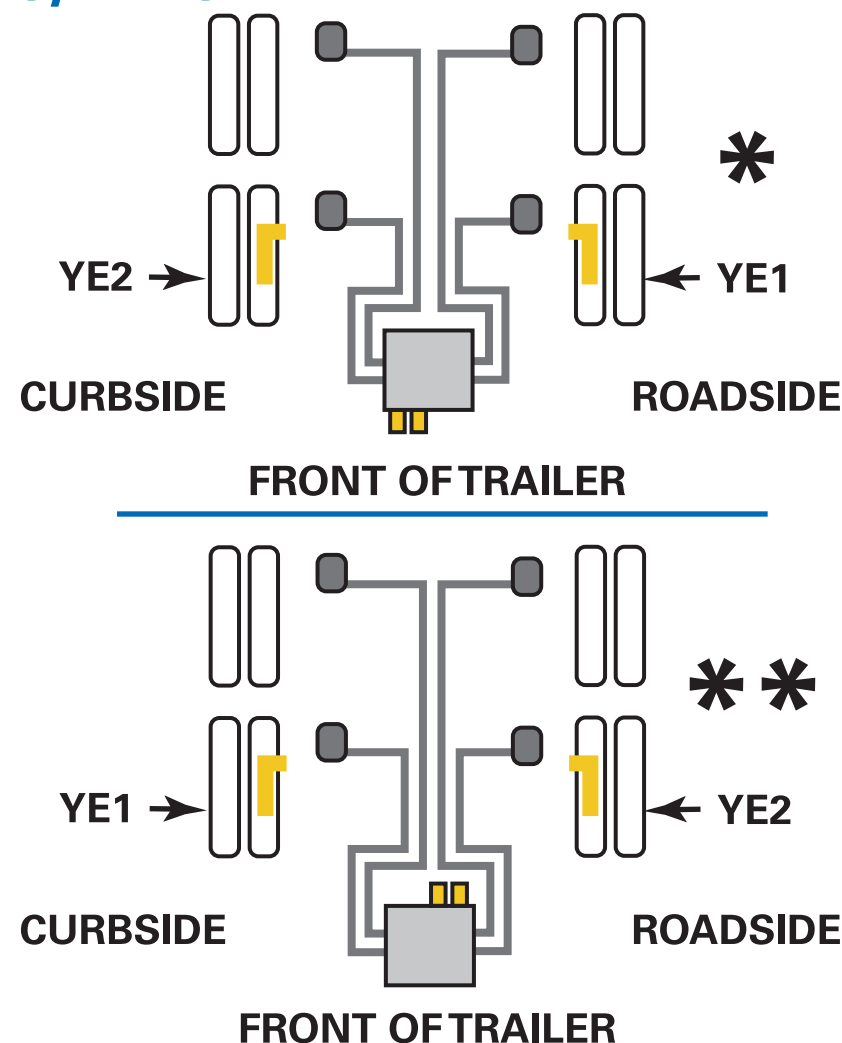


SENSOR LOCATION VARIES BY INSTALLATION (Common Installations)

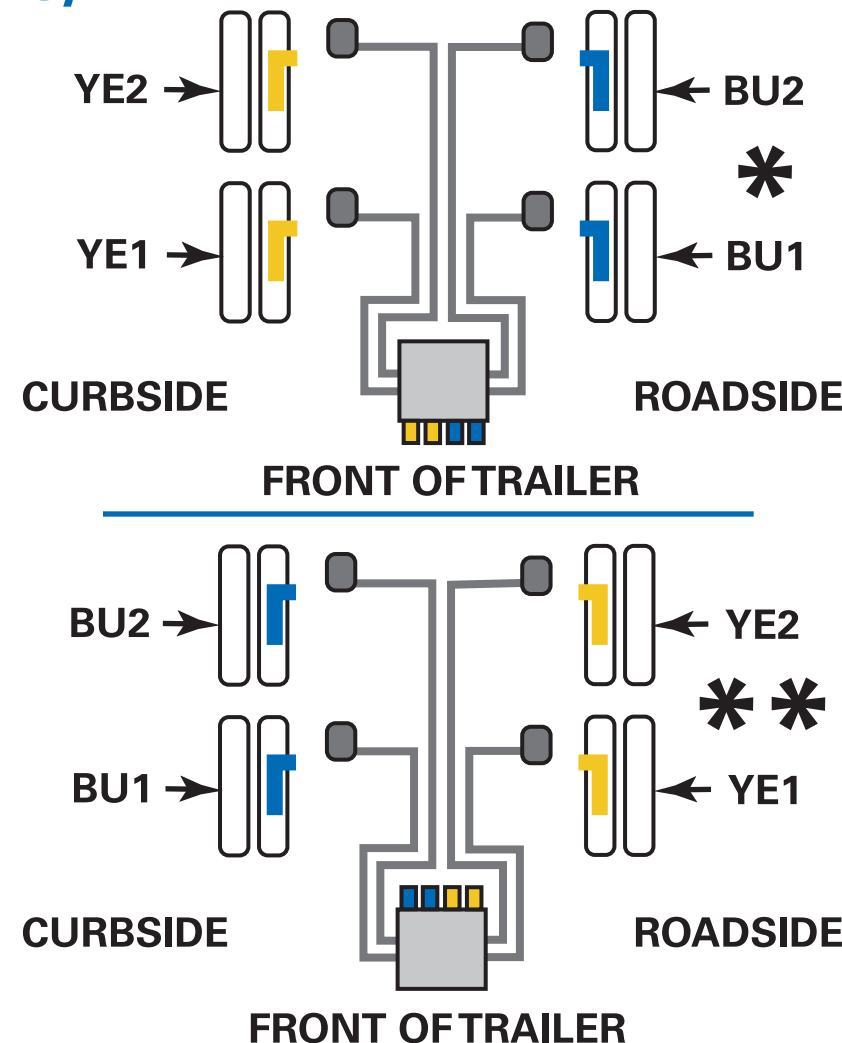
2S/1M



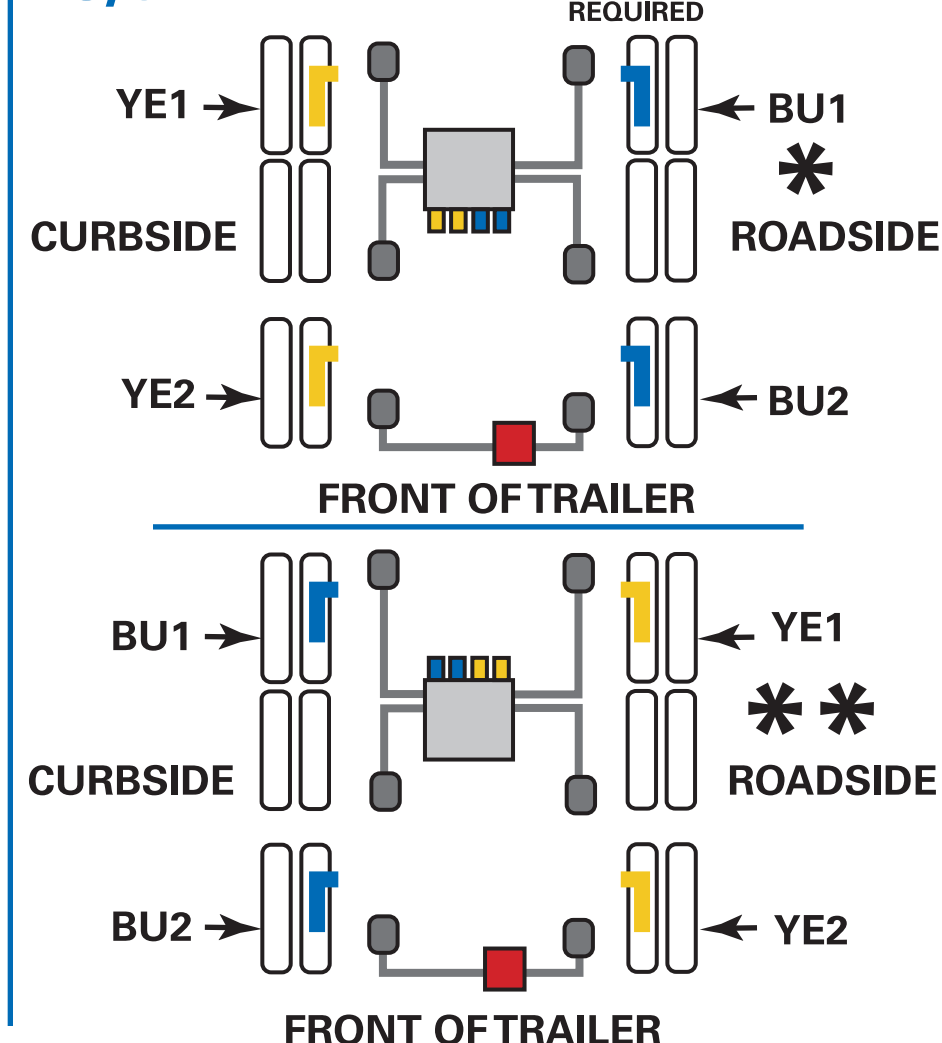
2S/2M STANDARD



4S/2M

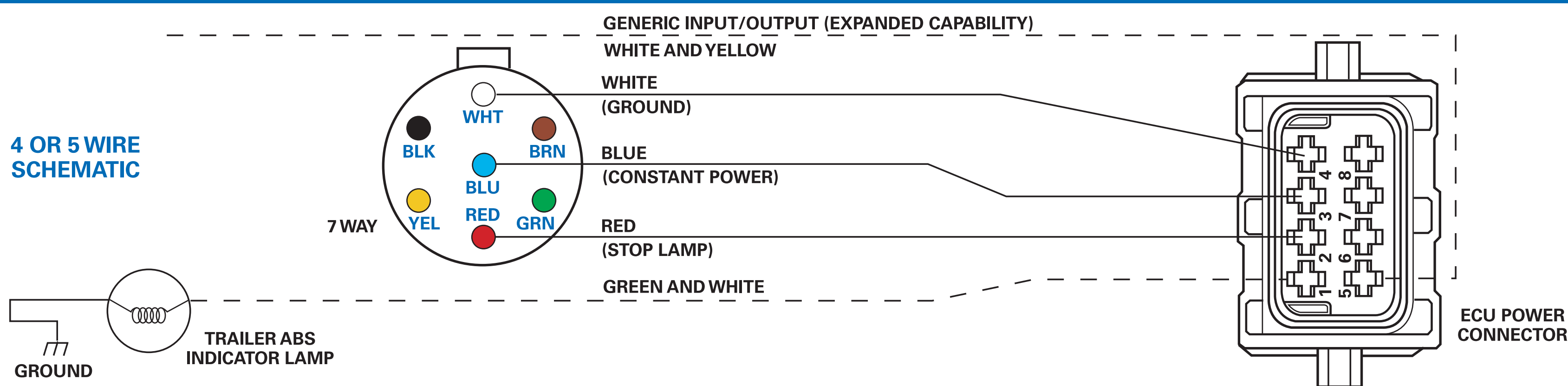


4S/3M TRI-AXLE

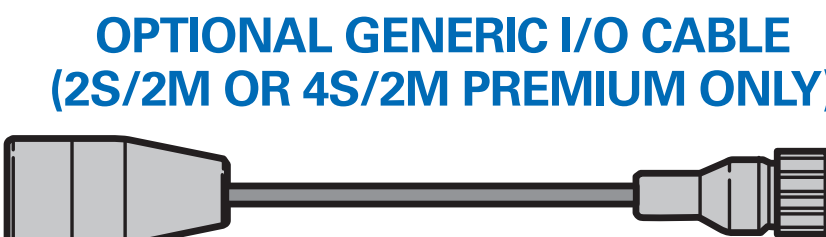
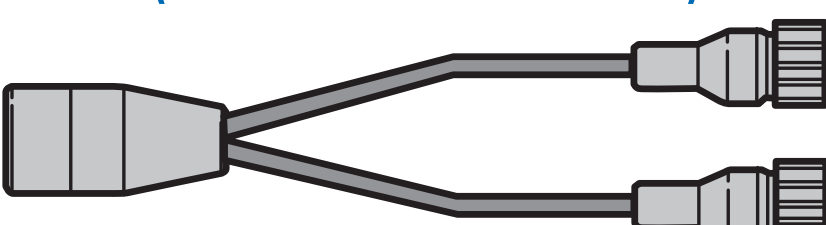
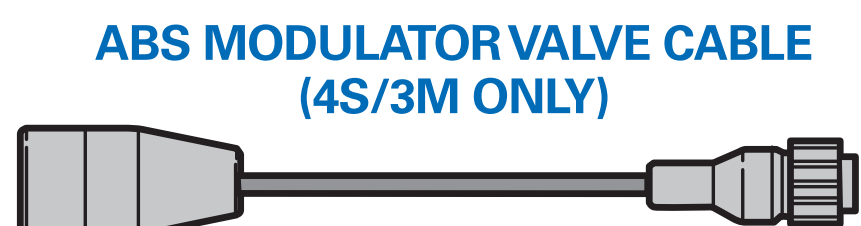
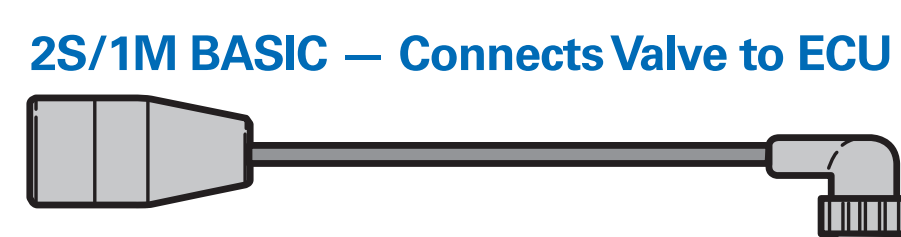


EXTERNAL MODULATOR VALVE (RED) AND CABLE REQUIRED

WIRING

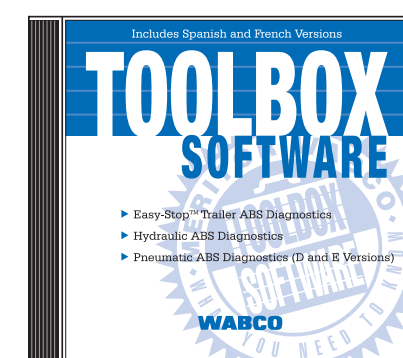


CABLES



DIAGNOSTICS

• TOOLBOX



• PRO-LINK

• BLINK CODES

