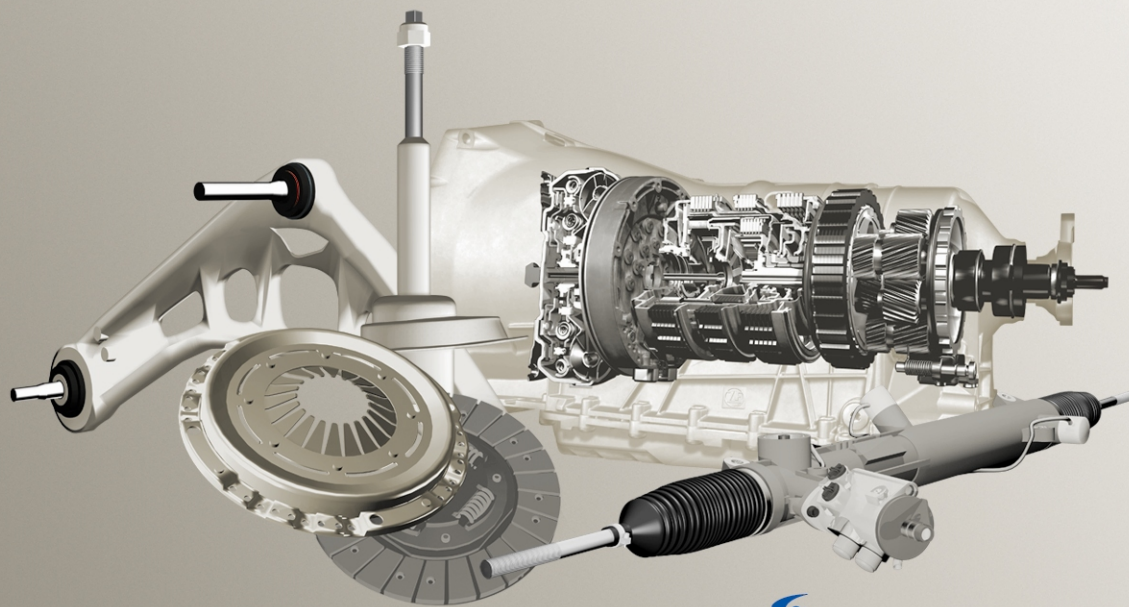




Driveline and Chassis Technology

Catalogs of the ZF Services GmbH



ZF Parts



Content

1. Structure of the Catalog
2. Main Features
3. Overview of the Catalogs
 - 3a) SACHS – Powertrain
 - 3b) SACHS – Suspension
 - 3c) BOGE
 - 3d) LEMFÖRDER – Steering & Suspension
 - 3e) LEMFÖRDER – other Products
 - 3f) ZF Parts
4. The WebCat
 - 4a) Open the WebCat
 - 4b) Download Catalogs from WebCat
5. Contact Information



1. Structure of the Catalog

Cover and fold-out cover

- ◆ Listing of all symbols
- ◆ Explanations with translation into all languages of the catalog

Prefix

- ◆ Index
- ◆ Order information
- ◆ Information about the catalog layout
- ◆ Product information
- ◆ Translation of the texts of the main parts into all languages of the catalog

Main part

- ◆ Listing of all articles
- ◆ In many catalogs additional images of the products

Appendix

- ◆ Part number list
- ◆ Cross reference list
- ◆ New to range
- ◆ Amended part numbers





2. Main Features

Clear structure of the catalog

- Ascending sorting of the vehicles by manufacturer, model and type
- Color codes in the main part facilitate the search for manufacturers and vehicle types.
- Extended vehicle information is given (e.g. engine code, year of construction)
- Exact instructions for installation and use facilitate the search for a suitable product.
- Well-arranged and logical presentation of the individual articles

Catalog languages

- In multilingual catalogs the main part is written in German and English.
- Further translations are easy to find by a language register.
- In monolingual catalogs the main part is written in the language of the country.

Special features of the clutch and shock absorber catalogs

- In addition to the main products, complementary products are listed within the catalog.
- Mounting times are indicated.





3. Overview of the Catalogs

3a) SACHS - Powertrain

SACHS Clutches and Clutch Actuations for Passenger Cars (2010/2011)

Languages	DE, EN, FR, NL, ES, PT, IT, NO, SV, FI, RU, PL, HU, CS, RO, HR, EL, TR, ZH
Products	Clutch Kit, Cover Assembly, Clutch Disc, Releaser, Release Plate, Dual-Mass Flywheel, Master- and Slave Cylinder, Clutch Cable, Central Releaser, Pilot Bearing, Kit plus CSC
Ord.no.	11504 IN

SACHS Clutches for Commercial Vehicles (2011/2012)

Languages	DE, EN, FR, ES, PT, IT, NL, NO, SV, FI, RU, PL, HU, CS, RO, HR, EL, TR, ZH
Products	Kit plus CSC, Clutch Kit, Cover Assembly, Clutch Disc, Torsion Damper, Releaser, Pilot Bearing, Dual-Mass Flywheel, Central Releaser, Master- and Slave Cylinder, Clutch Cable
Ord.no.	11505 IN

SACHS Clutches for Tractors (2007/2008)

Languages	DE, EN, FR, ES, IT, PL, RU, EL
Products	Kit plus CSC, Clutch Kit, Pressure Plate, Clutch Plate, Torision Damper, Releaser, Pilot Bearing, Central Releaser, Fan Clutch
Ord.no.	10267 IN





3. Overview of the Catalogs

3a) SACHS - Powertrain

SACHS Visko Fan Clutches for Passenger Cars and Commercial Vehicles (2010/2011)

Languages DE, EN, FR, ES, IT, PL, RU, EL, ZH
Products Fan Clutch, Cooling Fan
Ord.no. **11501 IN**

SACHS Torsion Damper for Engines (2007/2008)

Languages DE, EN, FR, ES, IT, PL, RU, EL
Products Torsion Damper
Ord.no. **10685 IN**





3. Overview of the Catalogs

3b) SACHS – Suspension

SACHS Shock Absorbers for Passenger Cars (2010/2011)

Languages	DE, EN, FR, NL, ES, PT, NO, SV, FI, RU, PL, HU, CS, RO, IT, HR, EL, TR
Products	Suspension Strut (advantage, super touring), Suspension Strut Insert, Steering Damper, Nivomat, Retrofit Kit for Nivomat, ServiceKit, Repair Kit Suspension Strut Bearing
Ord.no.	11502 IN

SACHS Shock Absorbers for Commercial Vehicles (2010/2011)

Languages	DE, EN, FR, NL, ES, PT, NO, SV, FI, RU, PL, HU, CS, RO, IT, HR, EL, TR, ZH
Products	Suspension Strut, Steering Damper, cab shock absorbers
Ord.no.	11503 IN

SACHS Shock absorbers and cab shock absorbers for agricultural vehicles (2007/2008)

Languages	DE, EN, FR, ES, IT, PL, RU, EL
Products	Shock absorbers, cab shock absorbers
Ord.no.	10266 IN





3. Overview of the Catalogs

3b) SACHS - Suspension

SACHS Coil Springs for Passenger Cars (2010/2011)

Languages DE, EN, FR, ES, IT, PL, RU, EL, ZH

Products Coil Springs

Ord.no. **11500 IN**





3. Overview of the Catalogs

3c) BOGE

BOGE Shock Absorbers for Passenger Cars (2008/2009)

Languages	DE, EN, FR, NL, ES, PT, NO, SV, FI, RU, PL, HU, CS, RO, IT, HR, EL, TR
Products	Suspension Strut (automatic, turbo), Suspension Strut Insert, Steering Damper, Nivomat, Retrofit Kit for Nivomat, Service Kit, Repair Kit Suspension Strut Bearing
Ord.no.	20227 IN





3. Overview of the Catalogs

3d) LEMFÖRDER–Steering&Suspension

LEMFÖRDER Steering and suspension parts Passenger Cars (2009/2010)

Languages	DE, EN, FR, ES, IT, PL, RU, EL, ZH
Products	Centre Rod, Tie Rod Steering, Track Control Arm, Tie Rod End, Rod/Strut Stabiliser, Angle Joint, and others
Ord.no.	05264 IN
Additional Information:	Two Banded separated in Manufacturer: A-M / N-Z delivered together

LEMFÖRDER Steering and suspension parts – Volvo CV (2008/2009)

Languages	DE, EN, FR, ES, IT, PL, RU, EL
Products	Centre Rod, Tie Rod Steering, Track Control Arm, Tie Rod End, Rod/Strut Stabiliser, Angle Joint, and others
Ord.no.	00032 IN

LEMFÖRDER Steering and suspension parts – Mercedes Benz CV (2009/2010)

Languages	DE, EN, FR, ES, IT, PL, RU, EL, ZH
Products	Centre Rod, Tie Rod Steering, Track Control Arm, Tie Rod End, Rod/Strut Stabiliser, Angle Joint, and others
Ord.no.	05260 IN





3. Overview of the Catalogs

3d) LEMFÖRDER–Steering&Suspension

LEMFÖRDER Steering and suspension parts – DAF (2010/2011)

Languages DE, EN, FR, ES, IT, PL, RU, EL

Products Centre Rod, Tie Rod Steering, Track Control Arm, Tie Rod End, Rod/Strut Stabiliser, Angle Joint, and others

Ord.no. **05335 IN**

LEMFÖRDER Steering and suspension parts – MAN (2010/2011)

Languages DE, EN, FR, ES, IT, PL, RU, EL

Products Centre Rod, Tie Rod Steering, Track Control Arm, Tie Rod End, Rod/Strut Stabiliser, Angle Joint, and others

Ord.no. **05357 IN**

LEMFÖRDER Steering and suspension parts – SCANIA (2011/2012)

Languages DE, EN, FR, ES, IT, PL, RU, EL

Products Centre Rod, Tie Rod Steering, Track Control Arm, Tie Rod End, Rod/Strut Stabiliser, Angle Joint, and others

Ord.no. **05475 IN**





3. Overview of the Catalogs

3e) LEMFÖRDER – other Products

LEMFÖRDER Rubber-to-Metal Components Passenger Cars (2008/2009)

Languages DE, EN, FR, ES, IT, PL, RU, EL

Products Repair Kit suspension strut, Engine Mounting, Mounting axle body, Mounting leaf spring, Wishbone arm, Mounting Stabiliser, Gearbox mounting, Mounting Link, and others

Ord.no. **00029 IN**

LEMFÖRDER Brake discs Passenger Cars (2007/2008)

Languages DE, EN, FR, ES, IT, PL, RU, EL

Products Brake disc, Brake drum

Ord.no. **00019 IN**





3. Overview of the Catalogs

3f) ZF Parts

ZF Parts Steering Gears and Steering Pumps (2009/2010)

Languages DE, EN, FR, ES, IT, PL, RU, EL, ZH

Products Steering Gears, Steering Pumps

Ord.no. **30033 IN**

ZF Parts Steering Pumps CV (2010/2011)

Languages DE, EN, FR, ES, IT, PL, RU, EL, ZH

Products Steering Pumps

Ord.no. **30070 IN**





4. The WebCat

The WebCat is an electronic replacement parts catalog in the internet. All information about our products can also be found there.

An overview of the advantages:

- Access worldwide
- Up-to-date data
- All information available in eleven languages
- Easy-to-handle search functions
- Well-arranged vehicle selection
- Step by step navigation
- Immediate presentation of OSS, BOGE Service and LEMFÖRDER plus documents (within the protected partner area)





4a) Open the WebCat

www.zf.com > Products & Services > Replacement parts > Catalog

Products & Services Driveline and Chassis Technology

Home Products & Services Careers Press Company

Product Overview Product Range Highlights Replacement Parts Service Portfolio Product Brands Motorsports

Home > Products & Services > Replacement Parts > Catalog

show all categories

Catalog

- PDF Catalogs
- Print Catalogs
- DVD Catalog InCAT
- TecDoc Certified Data Supplier
- Technical Inquiry
- Replacement Part Request
- ZF Service Data Management

Online Catalog

The complete range of shock absorbers, clutches, steering and suspension parts and rubber-to-metal components - updated daily.

Cockpit

Enter Search Expression

- < Product Overview
- < ZF Links
- < Product Brands
- < ZF worldwide
- < Calendar of Events
- < Download Center

SACHS, LEMFÖRDER, BOGE & ZF Parts

> Deutsch → Please choose the desired language

> Englisch

> Français

> Español





4b) Download Catalogs from the WebCat

By selecting the menu item „Catalog Download“ you can find all current catalogs sorted by the following categories:

- SACHS – Powertrain
- SACHS – Suspension
- LEMFÖRDER – Steering and Suspension PC
- LEMFÖRDER – Steering and Suspension CV
- LEMFÖRDER – Rubber to Metal
- LEMFÖRDER – Transmission Parts
- BOGE – Suspension
- ZF Parts – Steering Components
- ZF Parts – Wearing Parts on Axles

SACHS - Powertrain		size
SACHS Clutches and Operating Systems for Passenger Cars		
Technical Information		4.44 MB
Symbols		1.39 MB
Translations		231.52 KB
Measuring scale		954.23 KB
SACHS Clutches for Commercial Vehicles		
Measuring scale		23.37 KB
Symbols		285.43 KB
Translations		953.16 KB
Measuring scale for Flywheels		462.09 KB
SACHS Fan Clutches		
SRE Performance Clutches		
Appendix		9.74 MB
Symbols		1.42 MB
SACHS clutches traktor		
SACHS Torsion damper for engines		
		46.90 KB
		1.65 MB
		14.15 MB





5. Contact Information

If you want to order one of our catalogs, please contact your sales partner.

In the case of further questions please do not hesitate to contact us:

ZF Services GmbH

Obere Weiden 12

97424 Schweinfurt

Germany

Tel: +49 9721 475 60

Fax: +49 9721 475 5000

E-mail: info.zf-services@zf.com

www.zf.com

